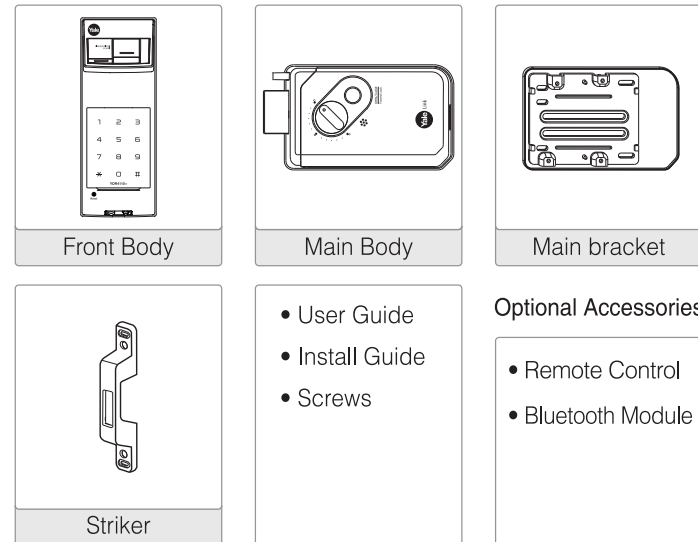


1. Front Body (Front Body, installation on the outside of the door)



2. Basic Contents

Basic Contents

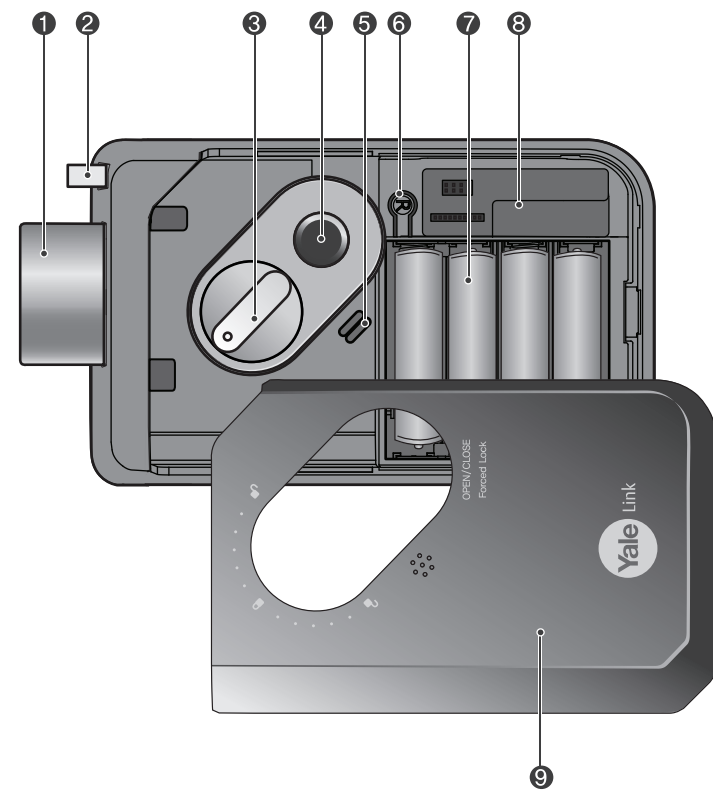


3. Specifications

Parts	Specifications	Remarks
Front Body	64,6(W) X 160,5(H) X 20(D)mm Die-Casting	Operating temperature: -15~55°C (5~131°F)
Main Body	142,1(W) X 87,1(H) X 36,4(D)mm Die-Casting	
Type of Product	Direct current, Temperature Sensor, Not fire resistant, Key is not available, Deadbolt type door lock (D-NF-T-NK-S)	
Option Remote Control	Wireless	Optional
Bluetooth Module	Wireless security system	Optional

※ Battery life may vary depending on temperature, moisture levels, frequency of use and the quality of the batteries.
 ※ Please make sure that all parts are included when purchasing the product.
 ※ Optional products may not be available depending on your country or local dealer.

4. Main Body (Main Body, installation on the inside of the door)



5. Front Body

1 Keypad(10-key)	2 Reset Hole
3 Fingerprint Cover	4 Fingerprint Sensor
5 Emergency Power Supply Terminal	

6. Main Body

1 Dead Bolt	2 Automatic Locking Sensor
3 Thumb Turn Lock	4 Open/Close Button
5 Speaker	6 (R) Registration Button
7 1.5V AA Alkaline Batteries	8 Slot for Remote Control module
9 Battery Cover	

7. Setting Menu

	Touch the Keypad of the Front Body with your palm to begin.
	Press *button on the Keypad.
	Press #button on the Keypad.
	Press (R)(Registration) button in every steps to start or complete the session.
	Enter User Fingerprint.(Up to 20EA)
	Enter User Code.(4 ~ 10 digits) The User code is used for unlocking the lock. (Up to 30)
	Enter Master Code.(4 ~ 10 digits) The Master code is managed by certain person who is in charge of controlling the lock, and used for setting up the features.
	Enter Visitor Code.(Only 4 digits) The Visitor code is different from user code and given out to visitors only.
	Enter Onetime Code.(Only 4 digits) The Onetime code is used only once for unlocking the door lock and automatically deleted after usage.
	User Slot Number should be 2 digits.(like '01', '02...') When registering group of users in advanced mode, the User Slot Number is used to variate individuals and offer private pin codes.
	Rotation area to add more features.

8. Product Features

Easy Scan (Patent)
 Easy User Interface of using finger print scanning type by Sliding up the fingerprint cover and swipe down.

Normal Mode
 Without a designated person, anyone who knows 'User PIN Code' has authority to set features.

Master Mode
 Only a designated person who knows 'Master PIN Code' has authority to set features.

3minute Lock Out Feature
 After five(5) unsuccessful attempts at entering a invalid code or Fingerprint 3minute Lock Out mode will be activated.

Smart Etiquette
 To enter pin codes on the keypad and open the door lock in silent mode.

Network Module Setting (*Optional)
 This setting becomes available through the Main Menu (9) and allows the lock to connect with the Controllers.

Automatic Lock
 When the door lock is set on Automatic Lock mode, it will be locked automatically.

Manual Lock
 When the door lock is set on Manual Lock mode, it should be operated manually.

9. Quick Menu (Normal Mode)

Without a designated person, anyone who knows 'User PIN Code' has authority to set features.

User Code		*Continue / (R)Complete											
		1	2	3	4	5	6	7	8	9	10	11	12
Registr-ation	(R) (U) (R)												
Fingerprint Up to 20EA													
Registr-ation	(R) *												
Visitor Code													
Registr-ation	(U) (R) 1 #												
Delete	(U) (R) 3 #												
Onetime Code Auto delete after using.													
Registr-ation	(U) (R) 2 #												
Delete	(U) (R) 3 #												
Delete All Fingerprint													
Delete	(U) (R) 3 #												
DoorLock Setting													
Change Mode	(U) (R) 4 # 1 #												
Automatic Lock Setting													
Registr-ation	(U) (R) 4 # 2 #												
Delete	(U) (R) 3 #												

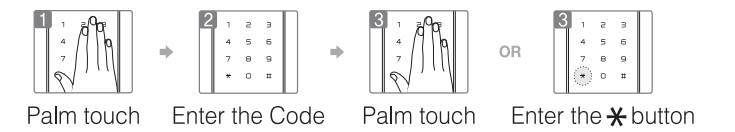
Volume Setting	
High	1 # * OR (R)
Low	(U) (R) 4 # 3 # 2 # * OR (R)
Mute	3 # * OR (R)
Language Setting	
Korean	1 # * OR (R)
Chinese	(U) (R) 4 # 5 # 2 # * OR (R)
English	3 # * OR (R)
Taiwanese	4 # * OR (R)
Remote Control	
Registr-ation	(U) (R) 8 # 1 # SET Button # * OR (R)
Delete	(U) (R) 3 # (U) # * OR (R) Remote set button
Controller	
Registr-ation	(U) (R) 9 # 1 # Controller # * OR (R)
Delete	(U) (R) 3 # (U) # * OR (R)

※ When changing from Normal to Master mode, all of the previously registered PIN codes and other credential will be automatically deleted.

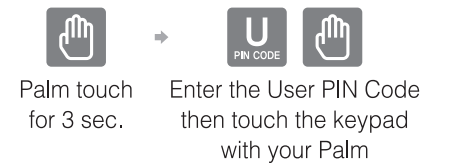
10. Unlocking Door with Fingerprint



11. Unlocking Door with Code



12. Unlocking Door with Smart Etiquette.



13. Unlocking the door from inside

- Opening the door with O/C Button
The door will be open by pressing O/C button.
- Opening the door with Thumb Turn Knob
The door will be open by turning the Thumb Turn Knob into opening direction.

14. Locking the door

- Automatic Lock Mode(Default)**
 The door will be automatically locked within 5 seconds.
- Locking the door from outside when the lock is set on manual locking mode
 To lock the door lock, touch the Keypad with your palm.
- Locking the door from inside when the lock is set to manual locking mode
 The door will be locked by turning the Thumb Turn Knob into closing direction.
 The door will be locked by pressing O/C button

